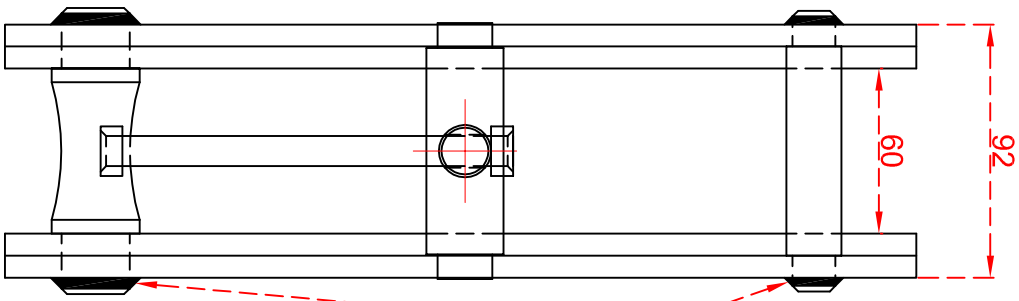
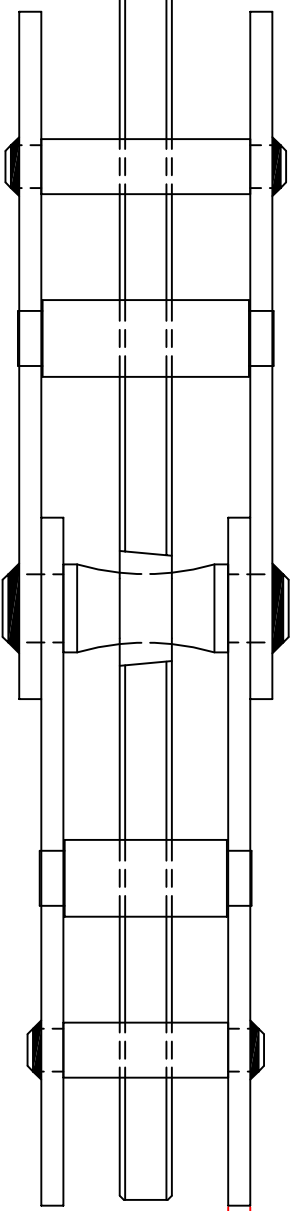
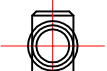
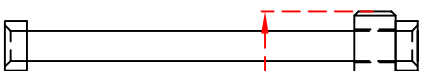


ES5 Assembly
3048kgs (3T) WLL
100-300mm Adjustment
9.5kgs Average Weight

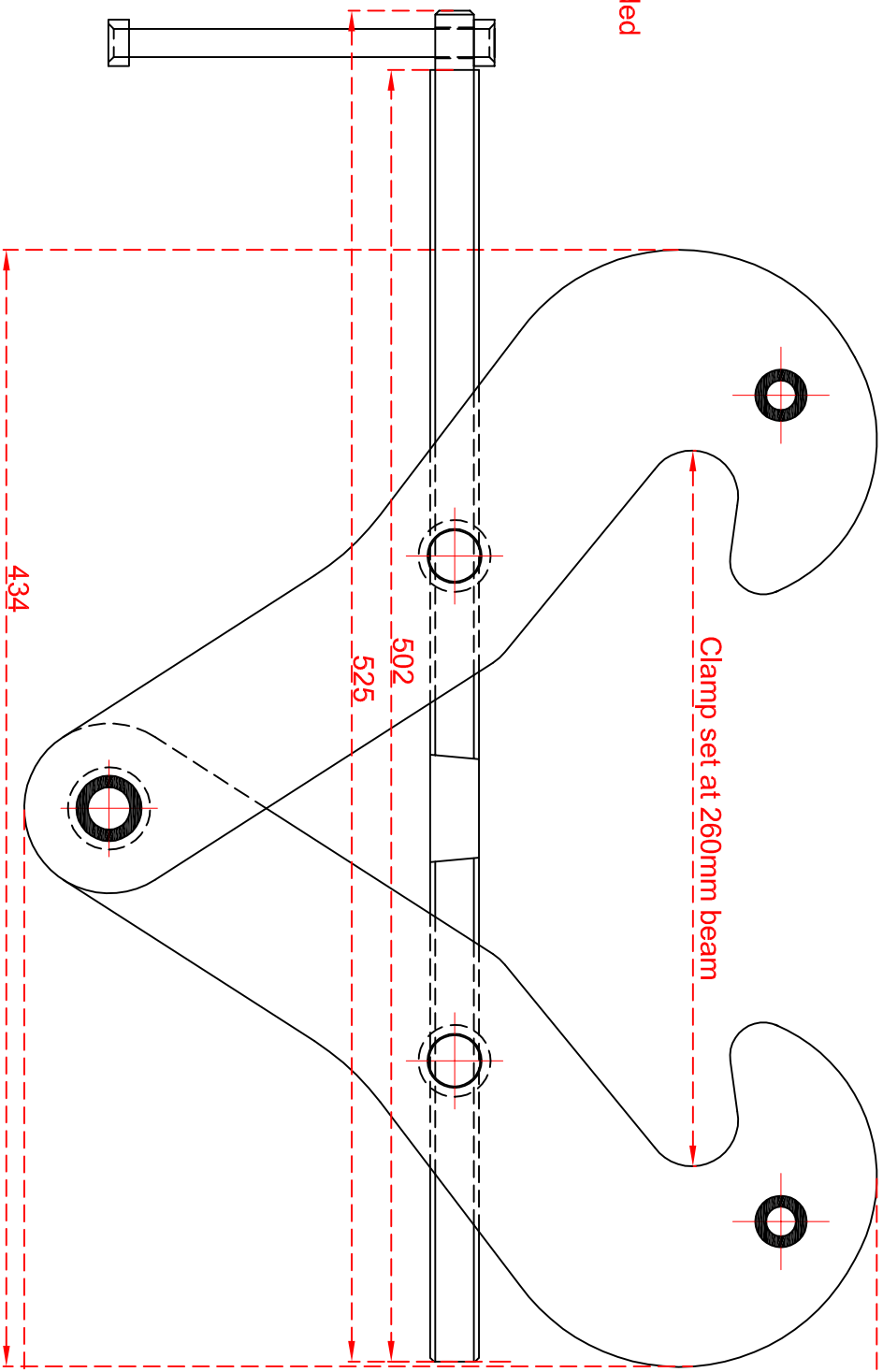
All Dimensions in Millimetres



Welded



8



Clamp set at 260mm beam

434

502

525

331