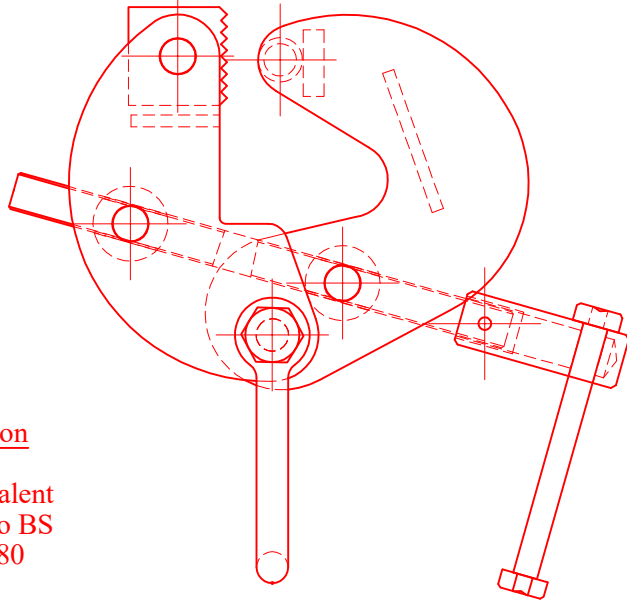
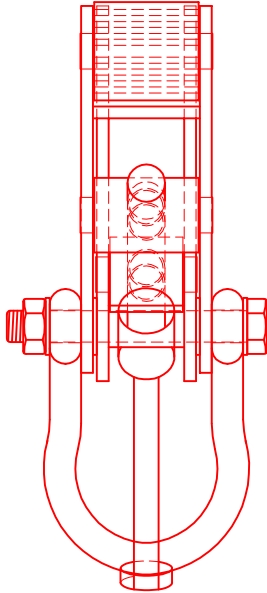


IMPORTANT
PLEASE READ CAREFULLY
BULB FLAT SECTION CLAMP



Bulb Flats Section
Clamps
All sections equivalent
or manufactured to BS
4848 Part 5, 1980

THE CORRECT USE OF BULB FLAT SECTION CLAMPS

1. Ensure the jaw and cam block is free from any defects.
2. Apply the clamp to the beam in the open position, close the clamp using the handle body and fully tighten.
3. Adjusting Screw must be FULLY HAND TIGHT before any load is applied, failure to do so could result in serious injury to persons or damage to equipment.
4. Bulb Flat Section Clamps must be thoroughly examined by a competent person at least every six months and an Examination Report completed, which must be available for inspection. All repairs to this equipment must be carried out by the supplier or original manufacturer.
5. This equipment must only be used by competent persons.

WARNING:

Do not exceed working load limits or use this equipment as otherwise explained.

Guidelines for the inspection and safe use of 'SUPERCLAMP' Equipment.

Follow all requirements of law, rules and regulations applicable in your country pertaining to lifting operations, ensuring all maintenance, testing, inspection and operator training requirements are strictly adhered to. This is in your interest, and can prevent fatal accidents and industrial disaster.

RILEY (LIFTING EQUIPMENT) LTD

REGISTERED OFFICE: HOPE BUILDING, DOCKRAY STREET, COLNE, LANCASHIRE, BB8 9HT

TELEPHONE: (01282) 867177 (Six Lines) FAX: (01282) 863698

OVERSEAS TELEPHONE: +441 282 867177 OVERSEAS FAX: +441 282 863698

EMAIL: info@superclamp.co.uk WEB SITE: www.superclamp.co.uk