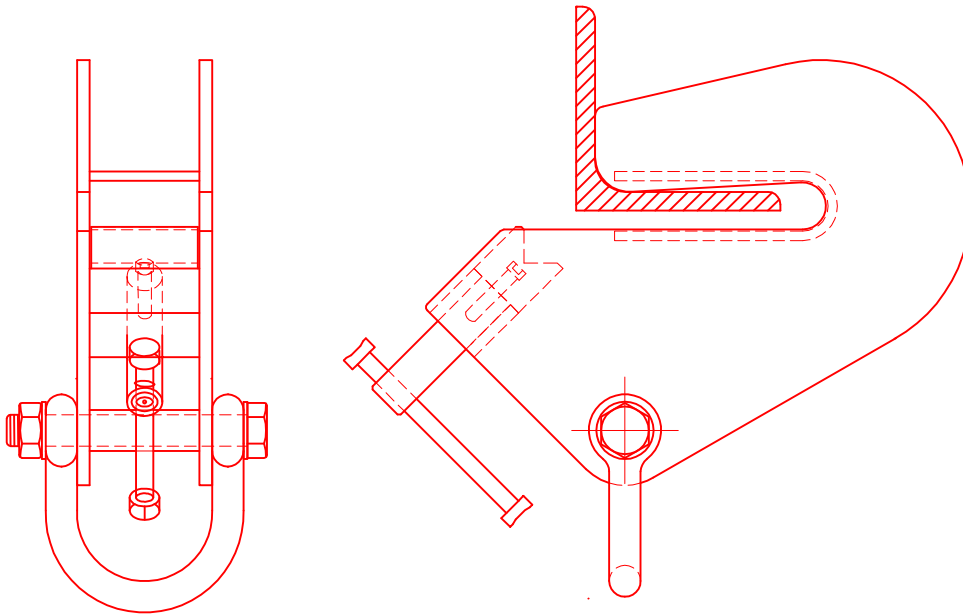


**IMPORTANT**  
**PLEASE READ CAREFULLY**  
ADJUSTABLE ANGLE SECTION CLAMP



**THE CORRECT USE OF ANGLE SECTION CLAMPS**

1. Ensure the jaw is free from any defects.
2. Apply the clamp to the beam in the open position, close the clamp using the adjusting screw and fully tighten using the locking device.
3. Adjusting Screw must be **FULLY HAND TIGHT** before any load is applied, failure to do so could result in serious injury to persons or damage to equipment.
4. Angle Section Clamps must be thoroughly examined by a competent person at least every six months and an Examination Report completed, which must be available for inspection. All repairs to this equipment must be carried out by the supplier or original manufacturer.
5. This equipment must only be used by competent persons.

**WARNING:**

**Do not exceed working load limits or use this equipment as otherwise explained.**

Guidelines for the inspection and safe use of 'SUPERCLAMP' Equipment.

Follow all requirements of law, rules and regulations applicable in your country pertaining to lifting operations, ensuring all maintenance, testing, inspection and operator training requirements are strictly adhered to. This is in your interest, and can prevent fatal accidents and industrial disaster.

**RILEY (LIFTING EQUIPMENT) LTD**

REGISTERED OFFICE: HOPE BUILDING, DOCKRAY STREET, COLNE, LANCASHIRE, BB8 9HT

TELEPHONE: (01282) 867177 (Six Lines) FAX: (01282) 863698

OVERSEAS TELEPHONE: +441 282 867177 OVERSEAS FAX: +441 282 863698

EMAIL: [info@superclamp.co.uk](mailto:info@superclamp.co.uk) WEB SITE: [www.superclamp.co.uk](http://www.superclamp.co.uk)