

IMPORTANT PLEASE READ CAREFULLY

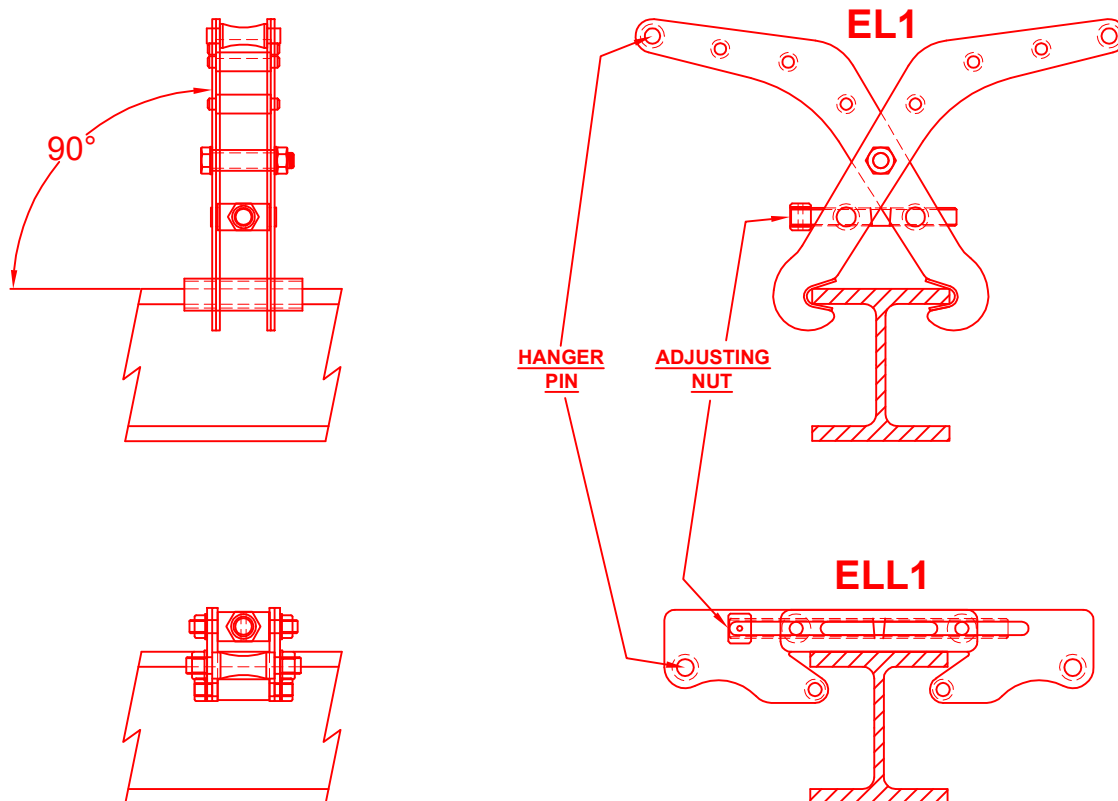
EASY LIFT MODELS ARE DESIGNED TO BE FITTED TO THE TOP FLANGE OF A BEAM, AS AN ANCHOR POINT FOR A LIFTING BLOCK OR SIMILAR EQUIPMENT.

DO NOT EXCEED THE 'WLL' (WORK LOAD LIMIT 200kg), THIS EQUIPMENT MUST BE CHECKED BY A COMPETENT PERSON BEFORE BEING PUT INTO SERVICE, DO NOT THROW OR DROP THIS EQUIPMENT. ADJUSTMENT 114 to 204mm FLANGE

THE WORK LOAD LIMIT CAN BE APPLIED TO ONE HANGER PIN. THE MAXIMUM LOAD USING TWO HANGER PINS MUST NOT EXCEED THE WORK LOAD LIMIT

THIS CLAMP MUST ONLY BE USED ON THE TOP FLANGE OF A BEAM. ITS PRIMARY USE IS IN LIFTING HEAVIER GEAR INTO POSITION ON THE LOWER FLANGE

ALWAYS USE A SOCKET AND WRENCH ON THE **ADJUSTING NUT** TO SECURE THE CLAMP INTO POSITION. HAND TIGHTENING IS NOT SUFFICIENT.



Follow all requirements of law, rules and regulations applicable in your country pertaining to lifting operations, ensuring all maintenance, testing, inspection and operator training requirements are strictly adhered to. This is in your interest, and can prevent fatal accidents and industrial disaster.

RILEY (LIFTING EQUIPMENT) LTD

REGISTERED OFFICE: HOPE BUILDING, DOCKRAY STREET, COLNE, LANCASHIRE, BB8 9HT

TELEPHONE: (01282) 867177 (Six Lines) FAX: (01282) 863698

OVERSEAS TELEPHONE: +441 282 867177 OVERSEAS FAX: +441 282 863698

EMAIL: info@superclamp.co.uk WEB SITE: www.superclamp.co.uk