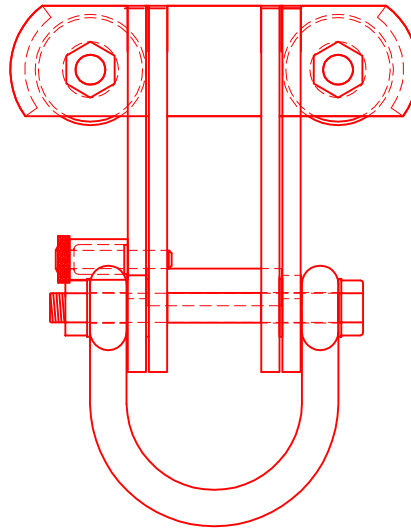
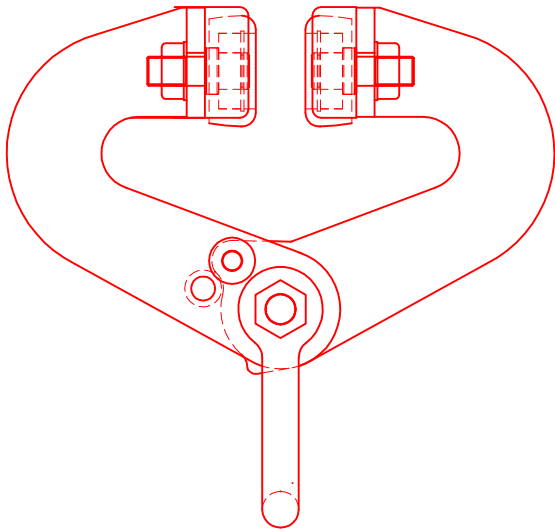


IMPORTANT
PLEASE READ CAREFULLY
AUTOLOCK RUNWAY BEAM TROLLEY



THE CORRECT USE OF AUTOLOCK RUNWAY BEAM TROLLEYS

1. Visually inspect the product for faults or damage.
2. Ensure wheels are free moving.
3. Pull the pin to open the trolley then place onto the beam flange.
4. Secure the trolley onto the beam by locking the pin back in place.
5. Autolock products must be thoroughly examined by a competent person at least every six months and an Examination Report completed, which must be available for inspection. All repairs to this equipment must be carried out by the supplier or original manufacturer.
6. This equipment must only be used by competent persons.

WARNING:

Do not exceed working load limits or use this equipment as otherwise explained.

Guidelines for the inspection and safe use of 'SUPERCLAMP' Equipment.

Follow all requirements of law, rules and regulations applicable in your country pertaining to lifting operations, ensuring all maintenance, testing, inspection and operator training requirements are strictly adhered to. This is in your interest, and can prevent fatal accidents and industrial disaster.

RILEY (LIFTING EQUIPMENT) LTD

REGISTERED OFFICE: HOPE BUILDING, DOCKRAY STREET, COLNE, LANCASHIRE, BB8 9HT

TELEPHONE: (01282) 867177 (Six Lines) FAX: (01282) 863698

OVERSEAS TELEPHONE: +441 282 867177 OVERSEAS FAX: +441 282 863698

EMAIL: info@superclamp.co.uk WEB SITE: www.superclamp.co.uk