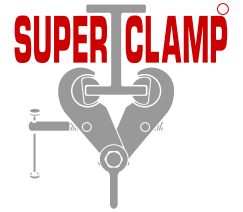
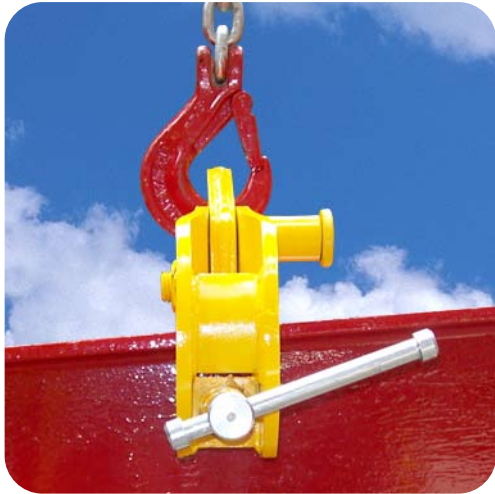


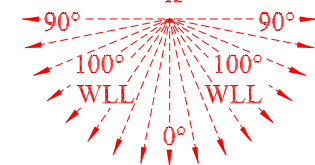
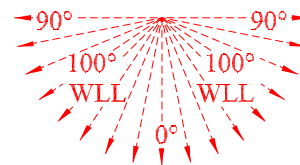
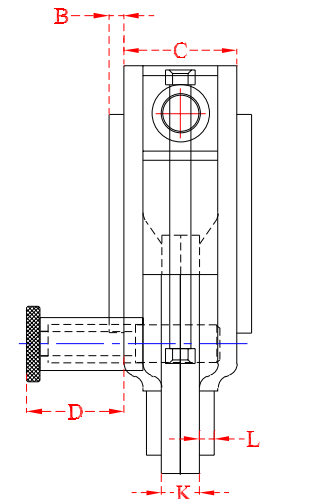
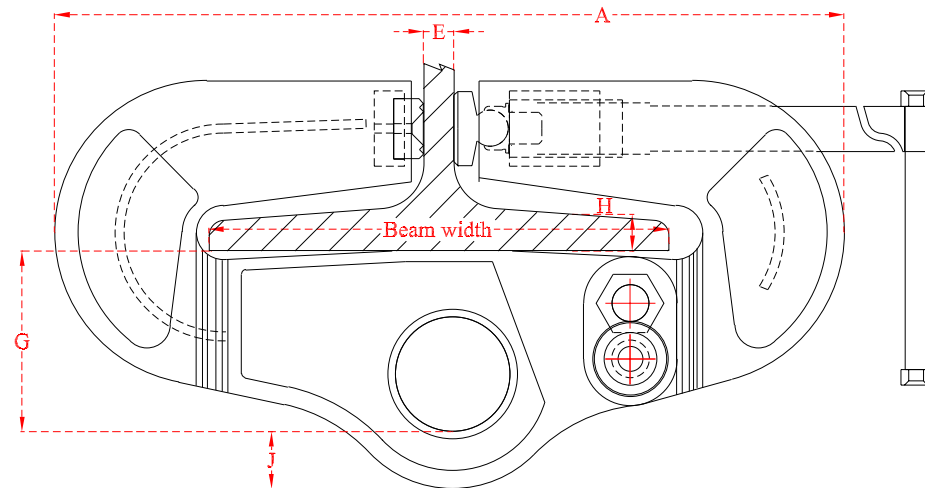
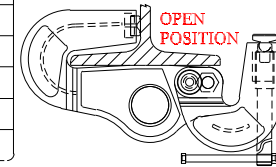
Worldwide Suppliers  
of **Super Clamps**



## Universal SUPERCLAMPs



		Dimensions										Weight	Beam Width
		A	B	C	D	E	G	H	J	K	L		
USC3A	WLL 3048kg	387	N/A	70	48	32	100	25.4	28	20	N/A	13.5kg	125 - 204
USC4	WLL 4064kg	518	10	70	48	32	100	25.4	28	10	10	23.5kg	125 - 305
USC5	WLL 5080kg	524	10	75	48	32	120	25.4	38	25	10	28.5kg	125 - 305
USC5D	WLL 10160kg	524	10	75	102	32	120	25.4	38	25	12.5	33.5kg	125 - 305
USC5D400	WLL 10160kg	624	10	75	102	32	120	25.4	38	25	12.5	43.1kg	225 - 400



## Riley (Lifting Equipment) Ltd

Hope Building, Dockray Street  
Colne, Lancashire BB8 9HT

**Tel:** +44 (0) 1282 867 177

**Fax:** +44 (0) 1282 863 698

**Email:** [info@superclamps.co.uk](mailto:info@superclamps.co.uk)

[www.superclamp.co.uk](http://www.superclamp.co.uk)