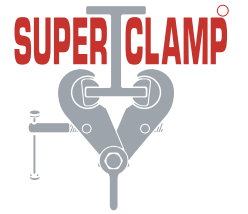


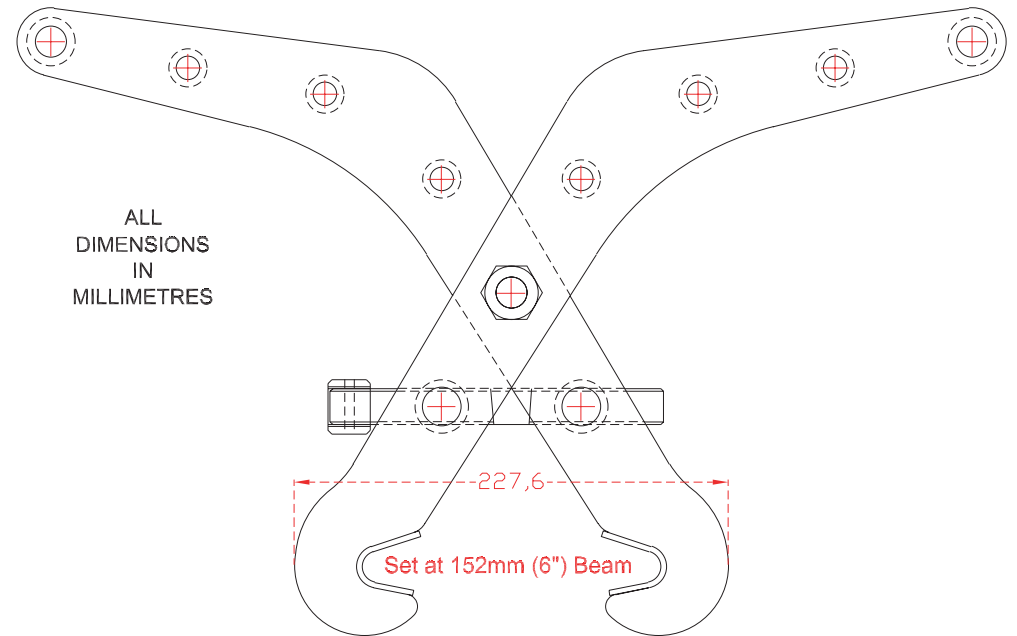
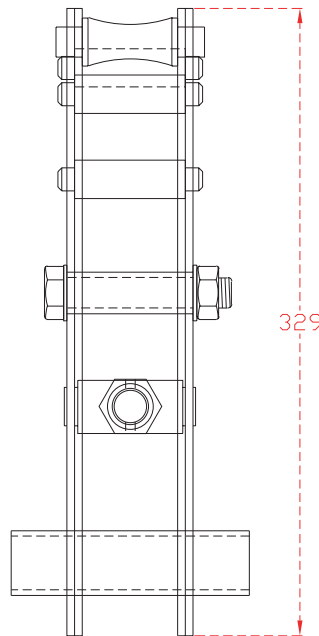
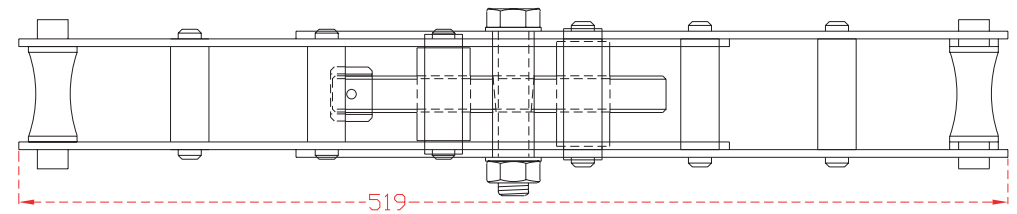
Worldwide Suppliers
of **Super Clamps**



Adjustable Double Sided 'SUPERCLAMP' EL1 (Easy Lift)



MODEL	—	EL1
WLL	—	200kg
WEIGHT	—	5.8kg
ADJUST	—	-114 to 204



ALL
DIMENSIONS
IN
MILLIMETRES

Riley (Lifting Equipment) Ltd

Hope Building, Dockray Street
Colne, Lancashire BB8 9HT

Tel: +44 (0) 1282 867 177

Fax: +44 (0) 1282 863 698

Email: info@superclamp.co.uk

www.superclamp.co.uk