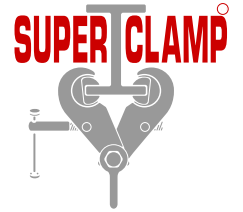


Worldwide Suppliers
of **Super Clamps**

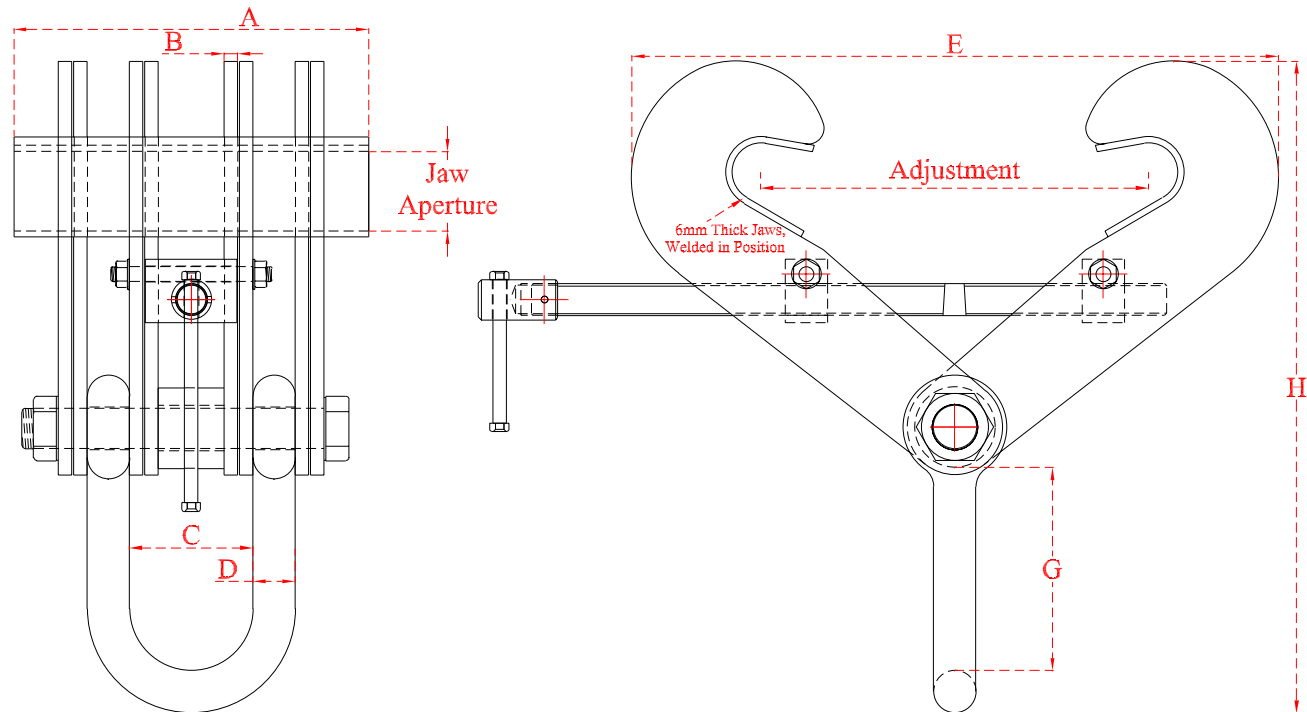


Fixed Jaw SUPERCLAMP Adjustable Girderdogs



Model	WLL	JAW APERTURE	WEIGHT	Dimension								ADJUST
				A	B	C	D	E	G	H		
S15	20320KG	51mm	65.5KG	335	12.5	116	40	756	185	616	203 - 457	
S16	20320KG	63mm	77KG	350	12.5	116	40	795	185	673	406 - 610	
S17	25400KG	51mm	75.5KG	335	15	130	45	611	192	621	203 - 457	
S18	25400KG	63mm	90KG	350	15	130	45	795	185	678	406 - 610	
S19	30480KG	63mm	92KG	350	20	130	45	624	185	626	203 - 457	
S20	30480KG	76mm	107KG	350	20	130	45	785	185	691	406 - 610	

Fixed Jaw
Adjustable
Girderdogs



Riley (Lifting Equipment) Ltd

Hope Building, Dockray Street
Colne, Lancashire BB8 9HT

Tel: +44 (0) 1282 867 177

Fax: +44 (0) 1282 863 698

Email: info@superclamp.co.uk

www.superclamp.co.uk