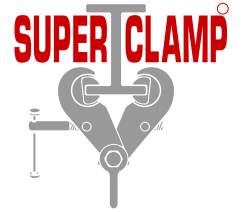


Worldwide Suppliers
of **Super Clamps**

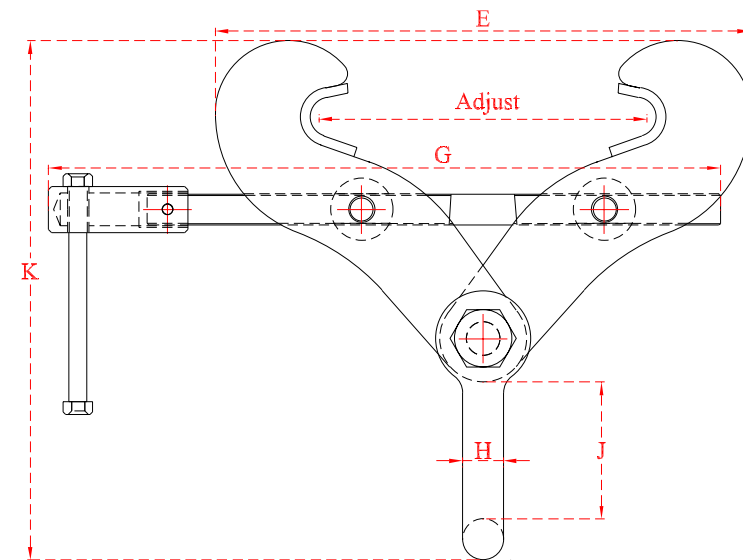
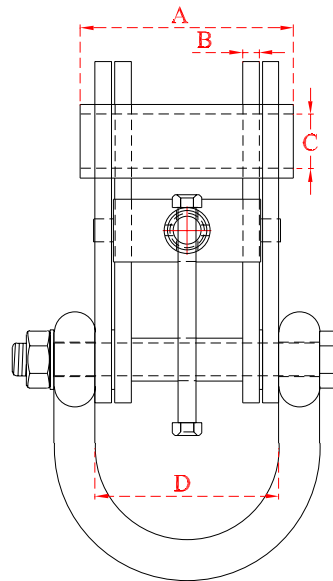


Fixed Jaw SUPERCLAMP Adjustable Girderclamps



Fixed Jaw
Adjustable
Girderclamps

Model	WLL	Adjust	Average Weight	Dimensions								
				A	B	C	D	E	G	H	J	K
S1	2032kg	76 - 190	4kg	125	3	22	90	188	275	20	77	250
S2	3048kg	76 - 190	5kg	125	6	22	90	188	275	20	77	250
S2A	3048kg	76 - 190	8kg	130	12.5	22	102	250	275	20	103	268
S2AX	3048kg	127 - 350	11.5 kg	130	12.5	22	102	375	560	20	102	373
S3	4064kg	150 - 254	11kg	130	10	22	112	327	410	25	98	332
S3A	5080kg	150 - 305	15kg	140	12.5	32	116	373	410	25	110	360
S3X	5080kg	76 - 190	10kg	130	12.5	22	116	237	295	25	110	300
S4	7112kg	101 - 228	17.5kg	140	12.5	42	118	323	410	32	120	382
S4A	10160kg	203 - 457	28kg	140	20	42	118	498	560	32	112	476
S4S	6096kg	203 - 457	18.8kg	140	12.5	42	116	498	560	25	110	459
S12	15241kg	203 - 457	49.5kg	170	20	50	116.5	611	660	40	185	616
S14	15241kg	406 - 610	58.5kg	175	20	63	116.5	795	810	40	185	673



Riley (Lifting Equipment) Ltd

Hope Building, Dockray Street
Colne, Lancashire BB8 9HT

Tel: +44 (0) 1282 867 177

Fax: +44 (0) 1282 863 698

Email: info@superclamp.co.uk

www.superclamp.co.uk