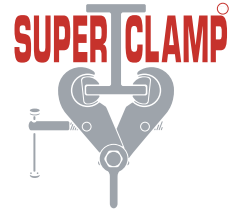


Worldwide Suppliers  
of **Super Clamps**

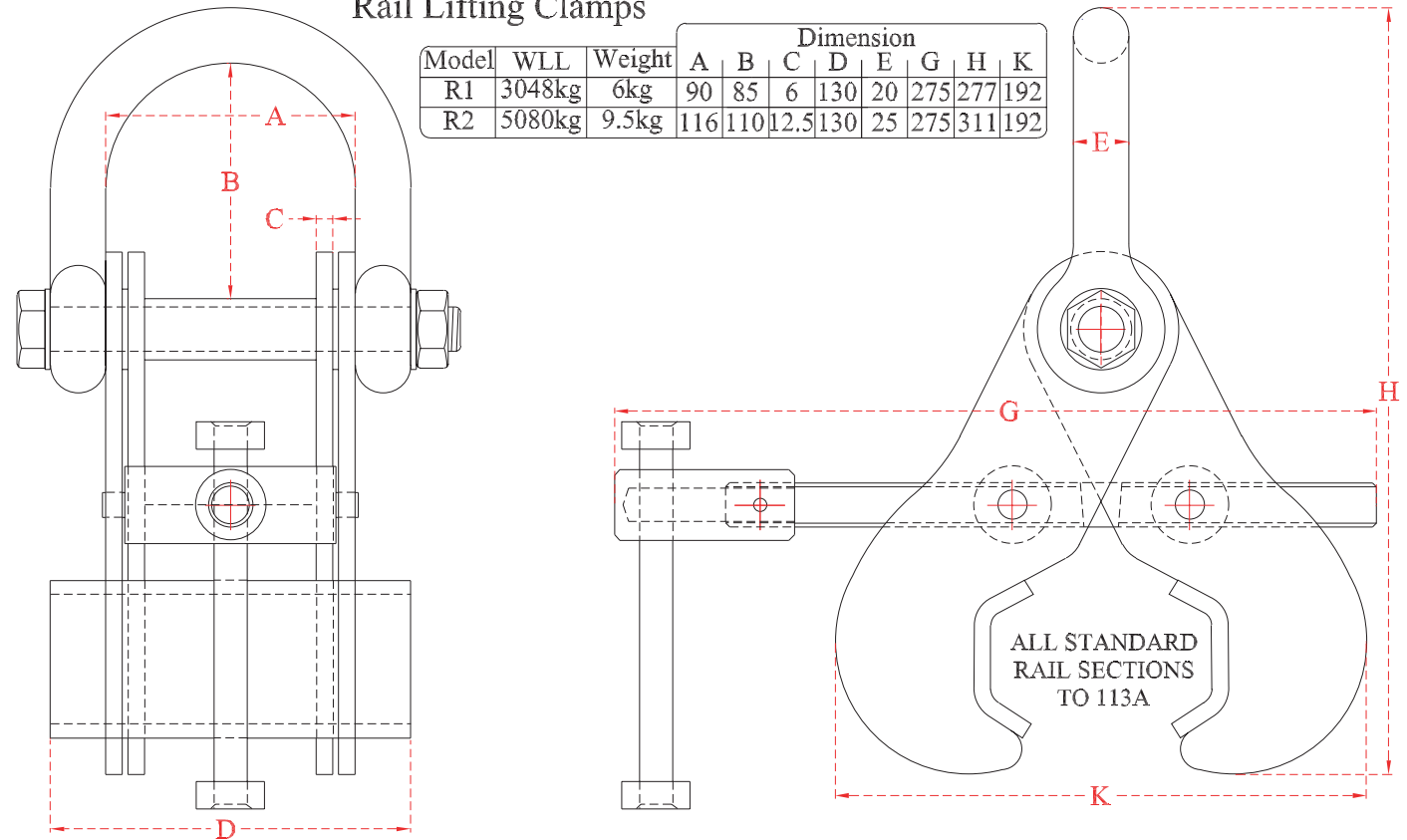


## Adjustable SUPERCLAMP Rail Lifting Clamps



### Rail Lifting Clamps

Model	WLL	Weight	Dimension							
			A	B	C	D	E	G	H	K
R1	3048kg	6kg	90	85	6	130	20	275	277	192
R2	5080kg	9.5kg	116	110	12.5	130	25	275	311	192



### Riley (Lifting Equipment) Ltd

Hope Building, Dockray Street  
Colne, Lancashire BB8 9HT

**Tel:** +44 (0) 1282 867 177

**Fax:** +44 (0) 1282 863 698

**Email:** [info@superclamp.co.uk](mailto:info@superclamp.co.uk)

[www.superclamp.co.uk](http://www.superclamp.co.uk)