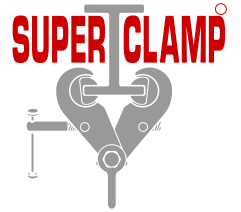


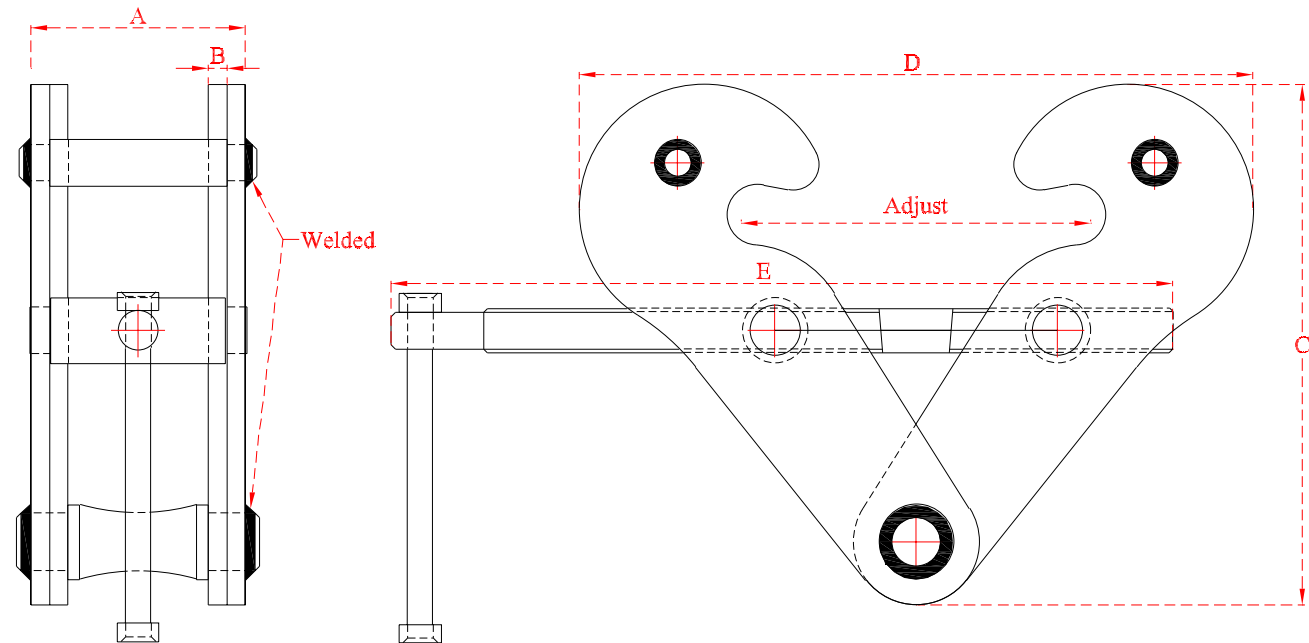
Worldwide Suppliers
of **Super Clamps**



ES Superclamp Adjustable Girderclamps



Model	WLL at 0° vert	Adjust	Average Weight	Dimensions				
				A	B	C	D	E
ES1	1016kg	70 - 200	3.5 kg	66	4	209	282	335
ES2	2032kg	50 - 200	4.5kg	74	6	209	282	335
ES3	2032kg	100 - 300	8kg	74	6	331	434	525
ES4	3048 kg	50 - 200	6.5 kg	92	8	223	289	335
ES5	3048 kg	100 - 300	10kg	92	8	331	434	525
ES6	5080kg	50 - 200	12.5 kg	110	12.5	269	322	335
ES7	5080kg	100 - 300	14.5 kg	110	12.5	331	434	525



Riley (Lifting Equipment) Ltd

Hope Building, Dockray Street
Colne, Lancashire BB8 9HT

Tel: +44 (0) 1282 867 177

Fax: +44 (0) 1282 863 698

Email: info@superclamp.co.uk

www.superclamp.co.uk