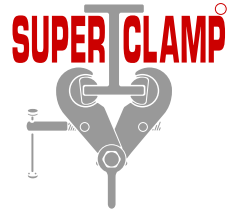


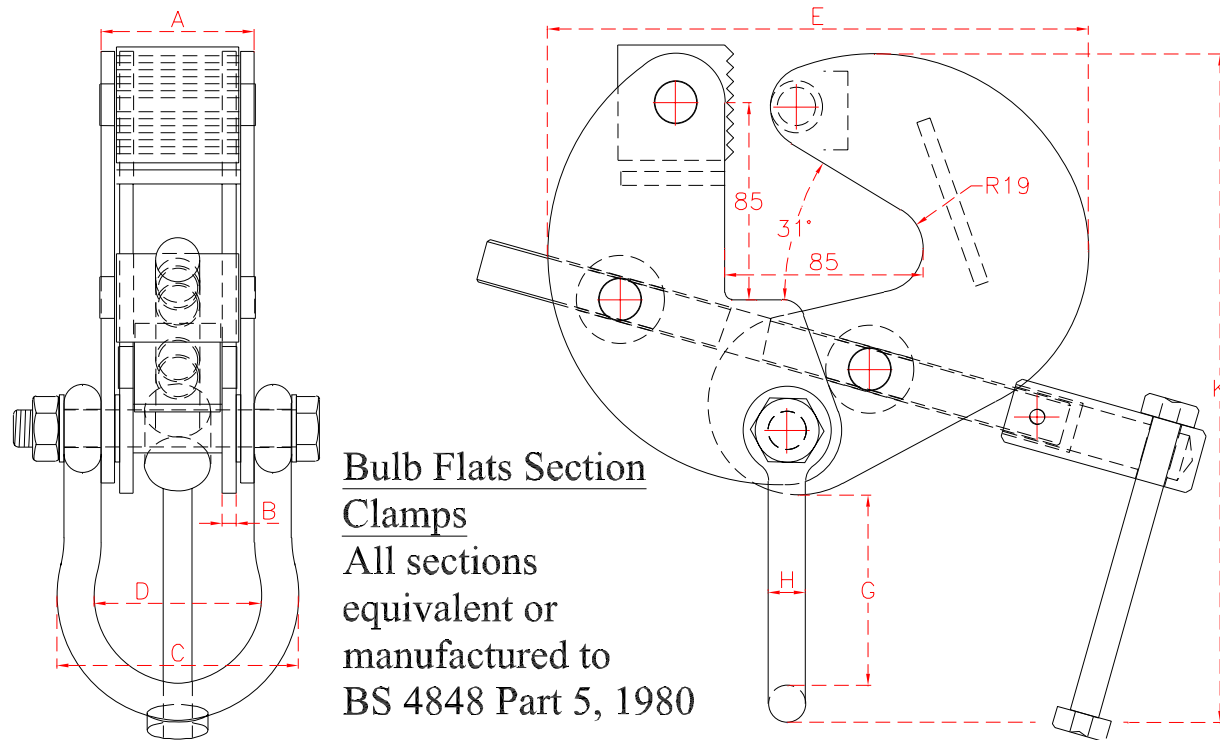
Worldwide Suppliers
of **Super Clamps**



Adjustable SUPERCLAMP Bulb Flats Section Clamps



Model	WLL	Weight	Dimensions							
			A	B	C	D	E	G	H	K
BFC1	1016kg	7kg	66	6	104	72	233	82	16	289
BFC2	3048kg	12kg	102	10	142	102	233	87	20	298



Riley (Lifting Equipment) Ltd

Hope Building, Dockray Street
Colne, Lancashire BB8 9HT

Tel: +44 (0) 1282 867 177

Fax: +44 (0) 1282 863 698

Email: info@superclamp.co.uk

www.superclamp.co.uk