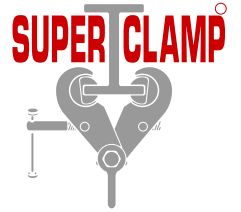


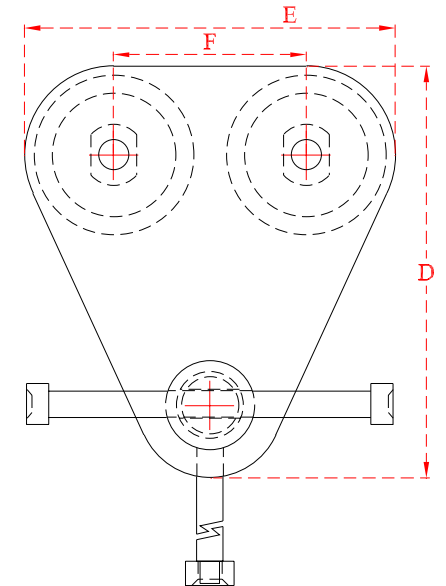
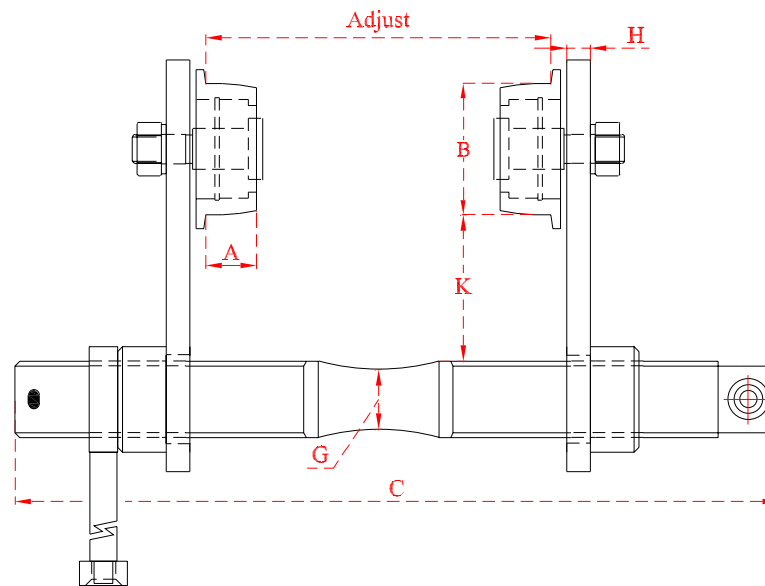
Worldwide Suppliers  
of **Super Clamps**



## Adjustable SUPERCLAMP Push Travel Trolley



| PT 1 to PT 7 | Adjust | Dimension  |    |      |     |     |     |     |      |      |      | WEIGHT |
|--------------|--------|------------|----|------|-----|-----|-----|-----|------|------|------|--------|
|              |        | A          | B  | C    | D   | E   | F   | G   | H    | K    |      |        |
| WLL 500kg    | 1      | 50 to 175  | 14 | 45   | 322 | 171 | 154 | 80  | 25   | 8    | 69.5 | 5.5kg  |
| WLL 1016kg   | 2      | 50 to 175  | 21 | 45   | 322 | 171 | 154 | 80  | 25   | 10   | 69.5 | 7.5kg  |
| WLL 1016kg   | 3      | 100 to 250 | 21 | 45   | 392 | 171 | 154 | 80  | 28.5 | 10   | 69.5 | 7.5kg  |
| WLL 2032kg   | 4      | 50 to 175  | 21 | 54.5 | 322 | 183 | 180 | 100 | 34.6 | 10   | 63.5 | 8.5kg  |
| WLL 2032kg   | 5      | 100 to 250 | 21 | 54.5 | 392 | 183 | 180 | 100 | 34   | 10   | 63.5 | 9kg    |
| WLL 3048kg   | 6      | 50 to 175  | 33 | 82   | 324 | 222 | 246 | 130 | 41.6 | 12.5 | 66   | 17.5kg |
| WLL 3048kg   | 7      | 100 to 250 | 33 | 82   | 464 | 222 | 246 | 130 | 42   | 12.5 | 66   | 19kg   |



## Riley (Lifting Equipment) Ltd

Hope Building, Dockray Street  
Colne, Lancashire BB8 9HT

**Tel:** +44 (0) 1282 867 177

**Fax:** +44 (0) 1282 863 698

**Email:** [info@superclamp.co.uk](mailto:info@superclamp.co.uk)

[www.superclamp.co.uk](http://www.superclamp.co.uk)