

Worldwide Suppliers
of **Super Clamps**



Adjustable SUPERCLAMP Geared Runway Beam Trolleys



Riley (Lifting Equipment) Ltd

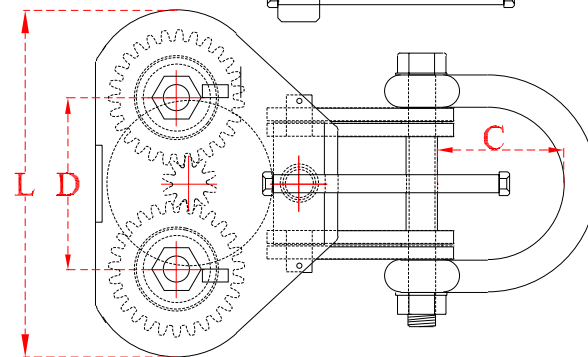
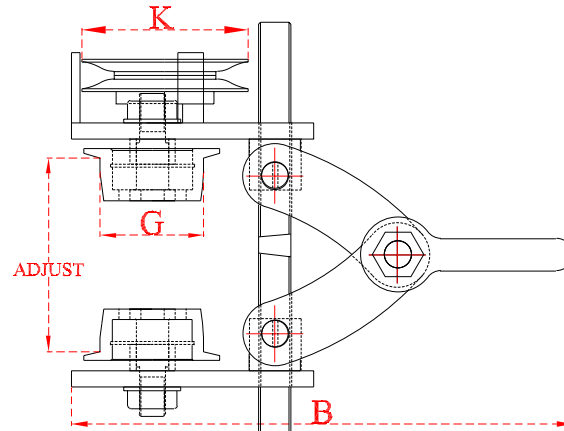
Hope Building, Dockray Street
Colne, Lancashire BB8 9HT

Tel: +44 (0) 1282 867 177

Fax: +44 (0) 1282 863 698

Email: info@superclamp.co.uk

www.superclamp.co.uk



| | WLL | Weight | Max Flange Thickness |
|------|---------|---------|----------------------|
| GBT1 | 3048kg | 31kg | 28mm |
| GBT2 | 6096kg | 57.5kg | 31mm |
| GBT3 | 10160kg | 83kg | 38mm |
| GBT4 | 15270kg | 160.5kg | 76mm |
| GBT5 | 20363kg | 199.5kg | 76mm |

| Dimension | A | B | C | D | G | H | K | L | M | ADJUST |
|-----------|----|-----|-----|-----|-----|-----|-----|-----|------|------------|
| GBT 1 | 33 | 395 | 112 | 133 | 82 | 475 | 130 | 269 | 12.5 | 76 to 203 |
| GBT 2 | 34 | 515 | 100 | 176 | 125 | 560 | 130 | 356 | 15 | 105 to 305 |
| GBT 3 | 41 | 570 | 130 | 200 | 145 | 560 | 230 | 430 | 15 | 160 to 305 |
| GBT 4 | 50 | 865 | 205 | 246 | 190 | 785 | 230 | 512 | 20 | 210 to 457 |
| GBT 5 | 50 | 970 | 223 | 292 | 220 | 785 | 230 | 610 | 20 | 210 to 457 |

