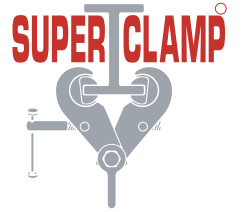


Worldwide Suppliers  
of **Super Clamps**

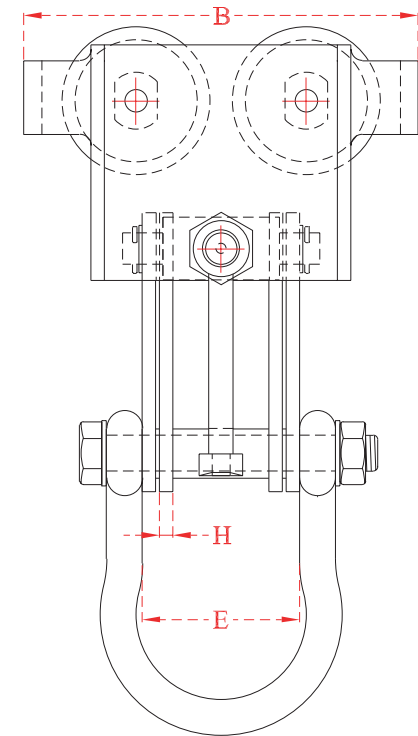
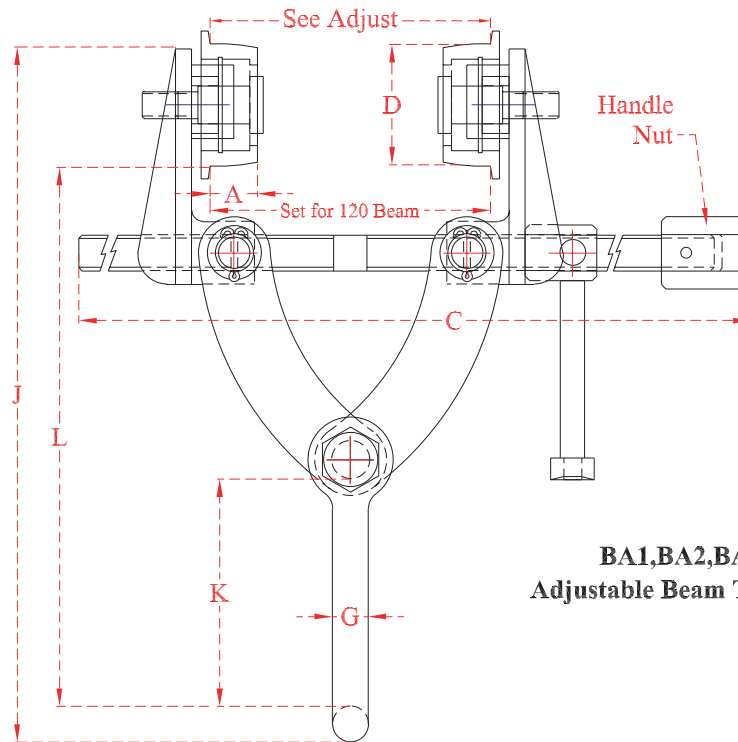


## Lightweight Adjustable SUPERCLAMP Runway Beam Trolleys



DIMENSION	A	B	C	D	E	G	H	J	K	L	ADJUST
<b>BA1</b>	14	176	360	46	70	16	6	309	101	245	63 - 203
<b>BA2</b>	21	176	360	54	70	16	6	309	101	241	76 - 203
<b>BA3</b>	21	176	360	54	70	16	8	309	101	241	76 - 203

Model	WLL	Weight	Max Flange Thickness
BA1	1016kg	6.5kg	25.4mm
BA2	1524kg	7kg	25.4mm
BA3	2032kg	7kg	25.4mm



**BA1,BA2,BA3**  
Adjustable Beam Trolley's

### Riley (Lifting Equipment) Ltd

Hope Building, Dockray Street  
Colne, Lancashire BB8 9HT

**Tel:** +44 (0) 1282 867 177

**Fax:** +44 (0) 1282 863 698

**Email:** [info@superclamp.co.uk](mailto:info@superclamp.co.uk)

[www.superclamp.co.uk](http://www.superclamp.co.uk)