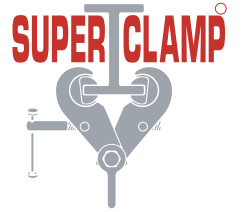


Worldwide Suppliers
of **Super Clamps**



Adjustable SUPERCLAMP Runway Beam Trolleys



Riley (Lifting Equipment) Ltd

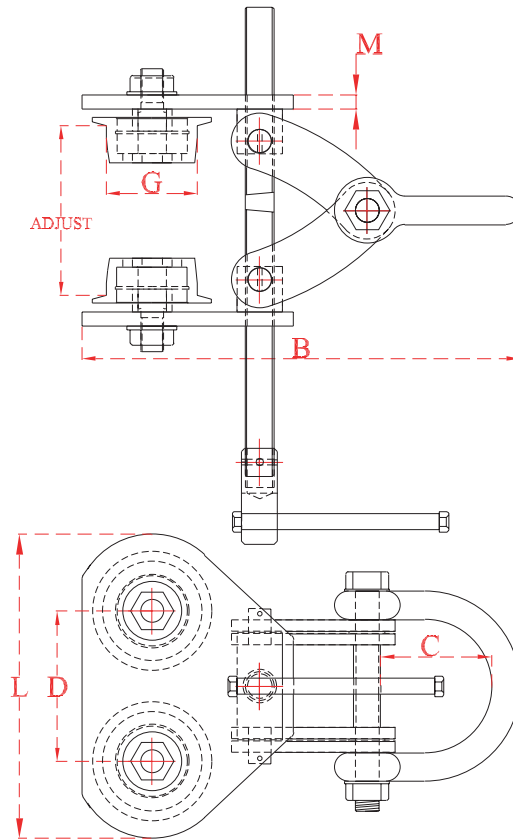
Hope Building, Dockray Street
Colne, Lancashire BB8 9HT

Tel: +44 (0) 1282 867 177

Fax: +44 (0) 1282 863 698

Email: info@superclamp.co.uk

www.superclamp.co.uk



Dimension	B Type Trolley's		
	B1	B2	B3
B	395	515	570
C	112	100	130
D	133	176	200
G	82	125	145
H	480	560	785
L	269	356	430
M	12.5	15	15
N	33	34	41
ADJUST	76 to 203	105 to 305	160 to 305

	Flange		
	Weight	Thickness	WLL
B1	23.5kg	28mm	3048kg
B2	50kg	32mm	6096kg
B3	74.5kg	38mm	10160kg

