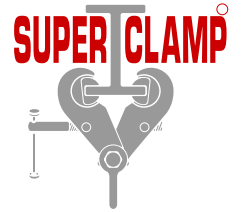


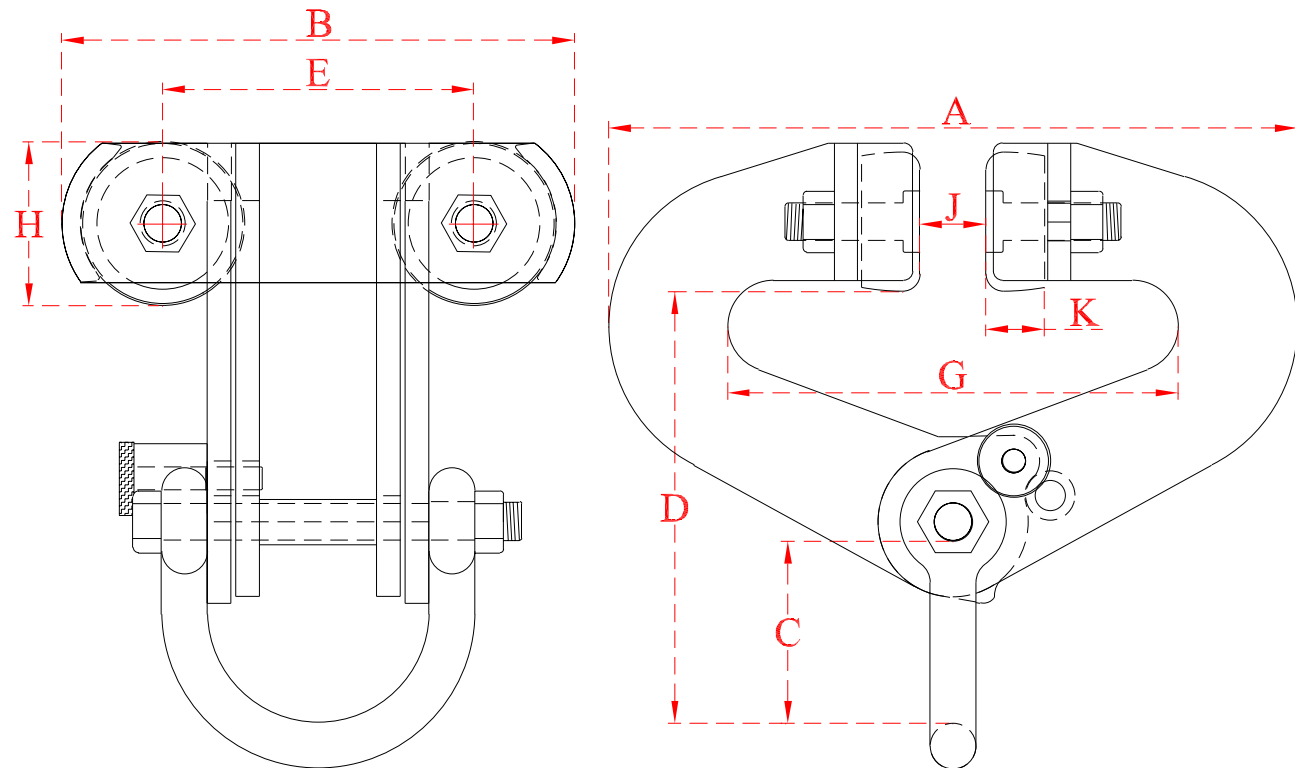
Worldwide Suppliers  
of **Super Clamps**



## Autolock SUPERCLAMP Runway Beam Trolley



Model	WLL	Weight	Max Flange Thickness	Dimension								
				A	B	C	D	E	G	H	J	K
<b>A1</b>	3048kg	21kg	28mm	380	280	110	250	170	76-230	82	30	32
<b>A2</b>	6096kg	33kg	30mm	500	296	110	290	170	100-305	88	40	38
<b>A3</b>	10160kg	47.5kg	30mm	580	290	135	310	170	100-305	109	40	38



### Riley (Lifting Equipment) Ltd

Hope Building, Dockray Street  
Colne, Lancashire BB8 9HT

**Tel:** +44 (0) 1282 867 177

**Fax:** +44 (0) 1282 863 698

**Email:** [info@superclamp.co.uk](mailto:info@superclamp.co.uk)

[www.superclamp.co.uk](http://www.superclamp.co.uk)